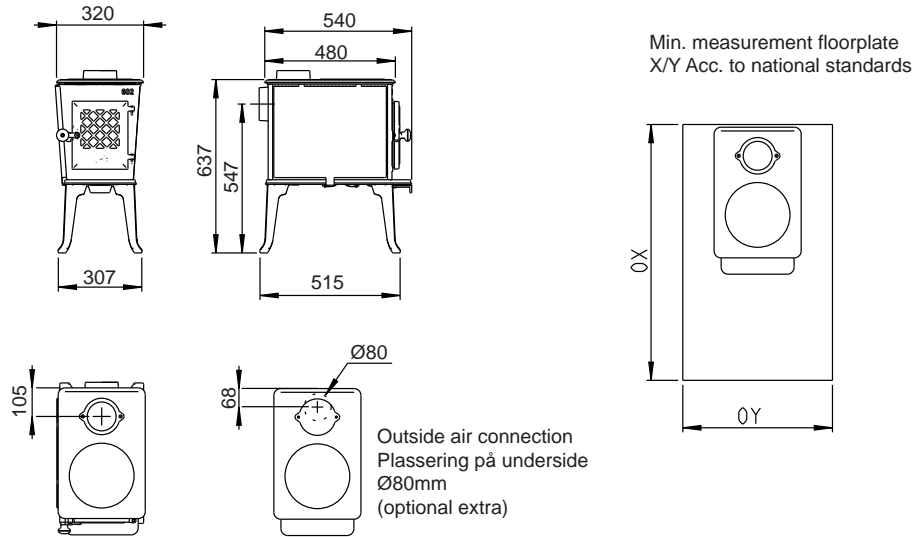
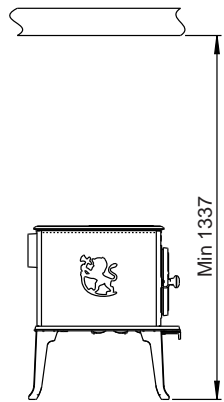


Fig. 1a

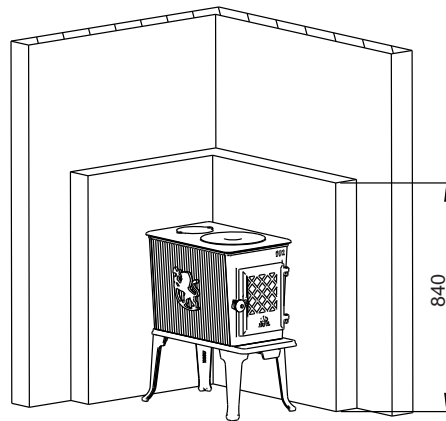
Jøtul F 602 ECO



Distance to combustible ceiling



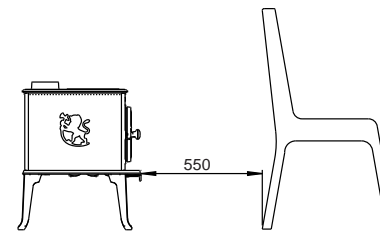
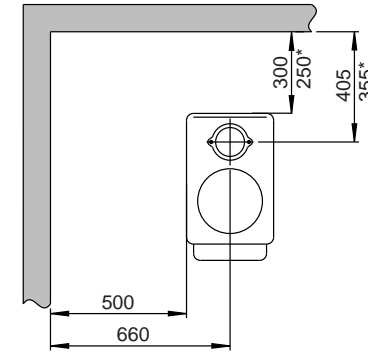
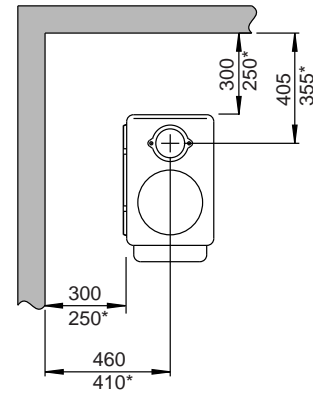
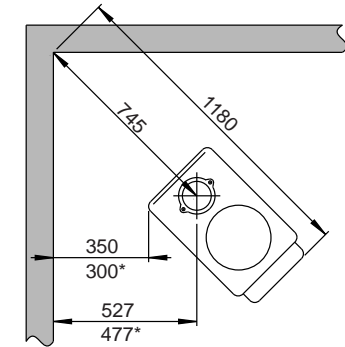
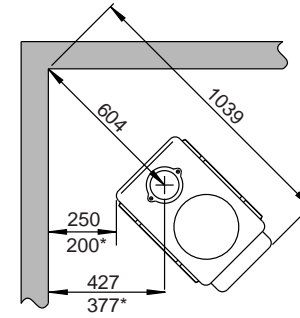
Min. height of firewall



Min. distance to combustible wall

With heat shield

Without heat shield



Combustible wall
Firewall

* semi-insulated chimney / shielded flue pipe
right down to the stove

Fig. 1b

